

FURTIF AMX

STAND-ALONE without safety module

NON-CONTACT AND CODED SAFETY SWITCH : TOTAL SAFETY IN CATEGORY 3

- Integrated self-control
- Detection distance/hysteresis/misalignment : 10 l+2 l±7 (mm)
- LED indicating the switch condition
- Mounting brackets and moulded cable
- Available with a M12 connector (AMX3/ AMX5)
- Polycarbonate housing
- Available in stainless steel 316L (except for AMX4)
- Protection class IP67
- Temperature -20°C to +60°C

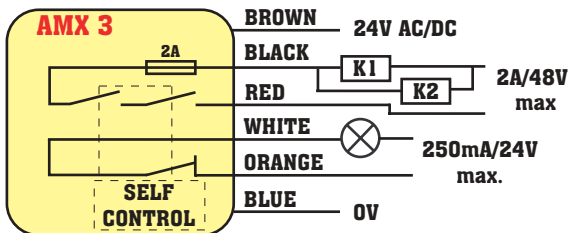
SAFETY CATEGORY

AMX3 / AMX4 / AMX5: category 3* according to EN954-1

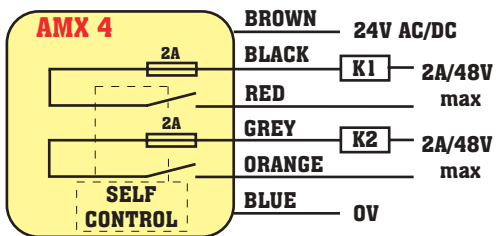
AMX4/AMX5 in category 4* with a safety module.

* Regardless of the number of switches in series.

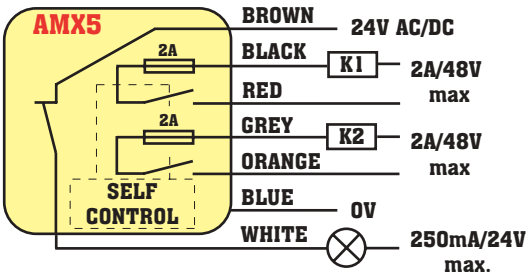
WIRING DIAGRAM



TUV and UL/CSA
cat.3

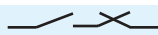


UL/CSA
cat.3



TUV and UL/CSA
cat.3

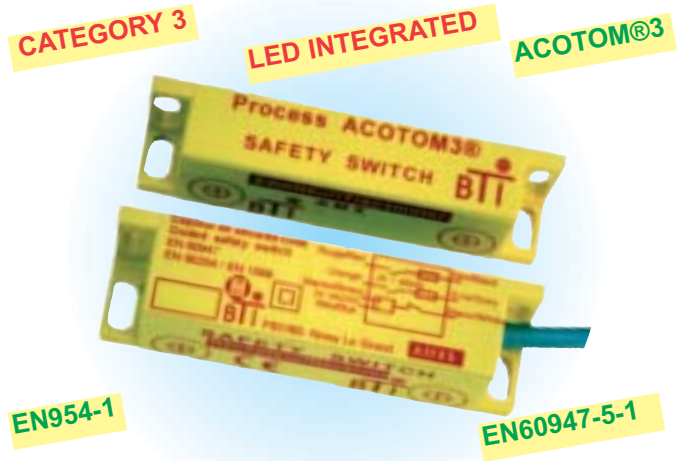
AMX 3 in case of failure



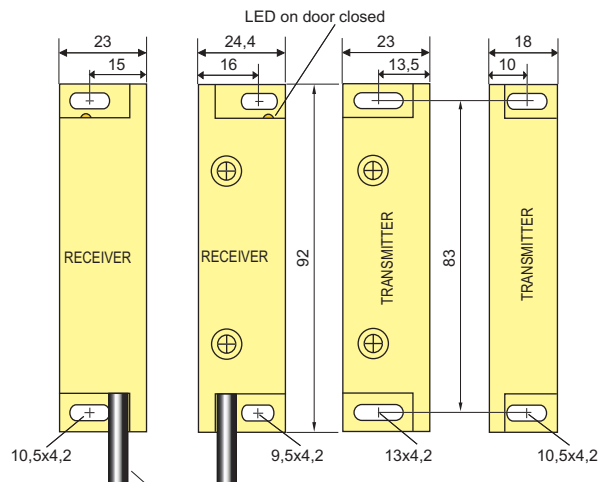
AMX 4/5 in case of failure



Our switches are equipped with a 2A fuse in order to guarantee electrical protection.



DIMENSIONS



Standard cable 3/6/12m Diam. 5
MKT : cable 20cm Diam.7
connector M12/8pin

PIN DETAILS FOR MKT CONNECTOR

FRONT VIEW	AMX3/MKT	FRONT VIEW	AMX5/MKT
	1 white: NO1 2 brown: nc 3 blue: NC1 4 yellow: +24V		5 grey: 0V 6 pink: NO1 7 green: NC1 8 red: nc
			9 white: NO2 2 brown: NO1 3 green: AUX 4 yellow: +24V
			5 grey: 0V 6 pink: NO2 7 blue: NO1 8 red: nc

ADVICE

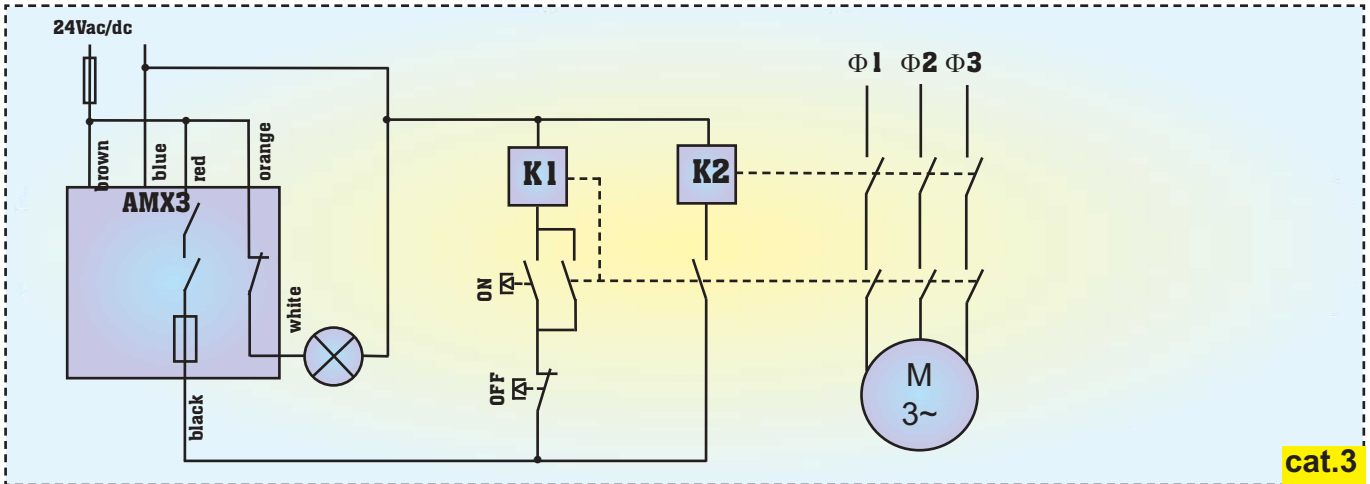
Control of the moving protectors of dangerous machines with a high authorized misalignment without any safety module in the electronic board.

DIAGRAMS

APPLICATION DIAGRAMS

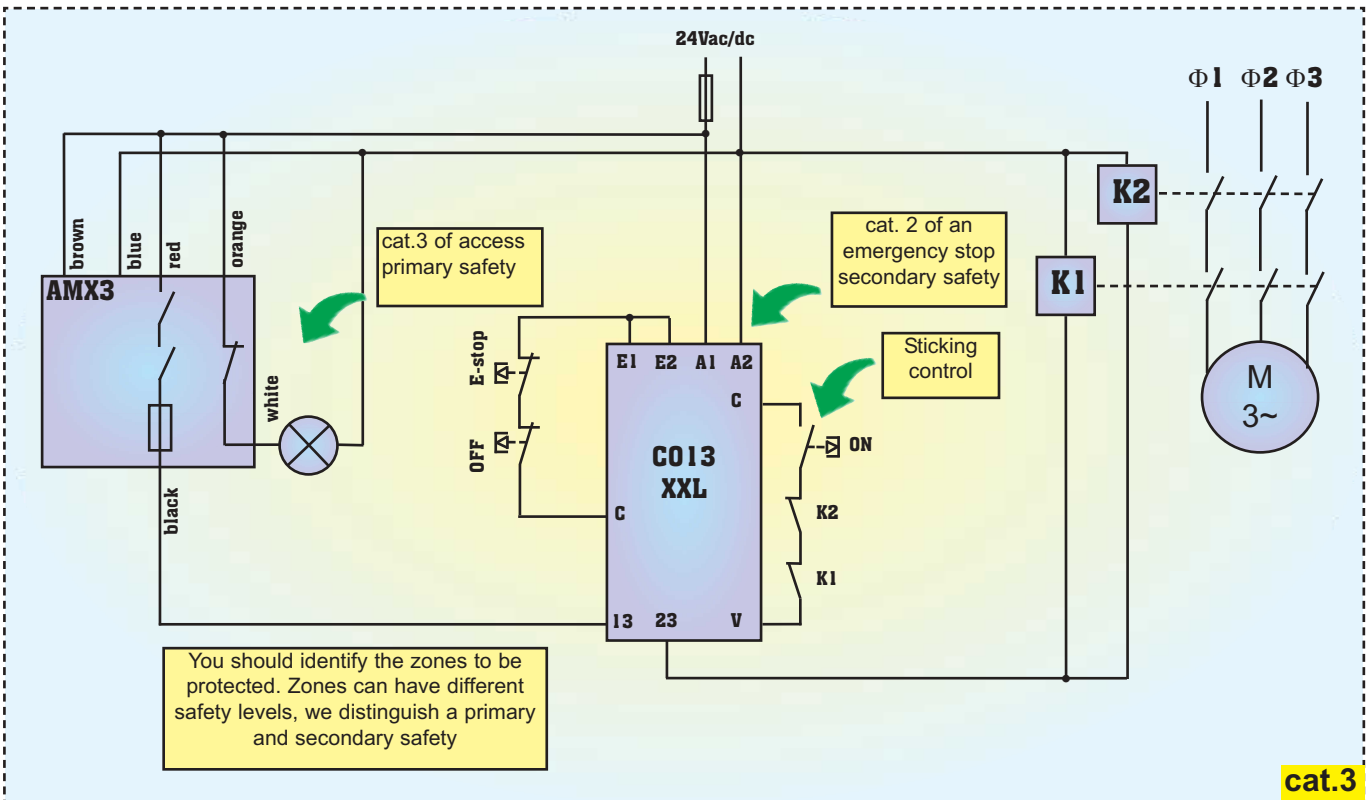
ACCESS PROTECTION IN CATEGORY 3

CATEGORY 3 OF POWER PARTS



ACCESS AND EMERGENCY STOP

CATEGORY 3 OF POWER PARTS

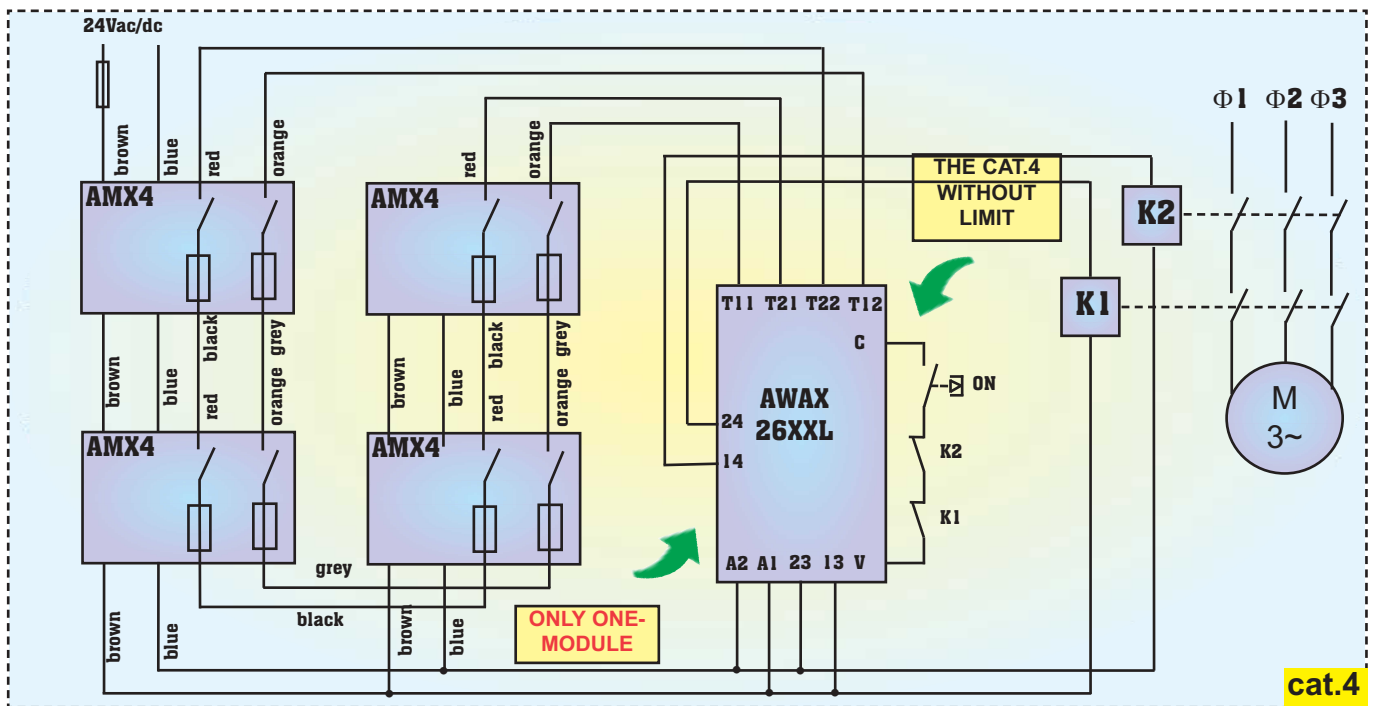
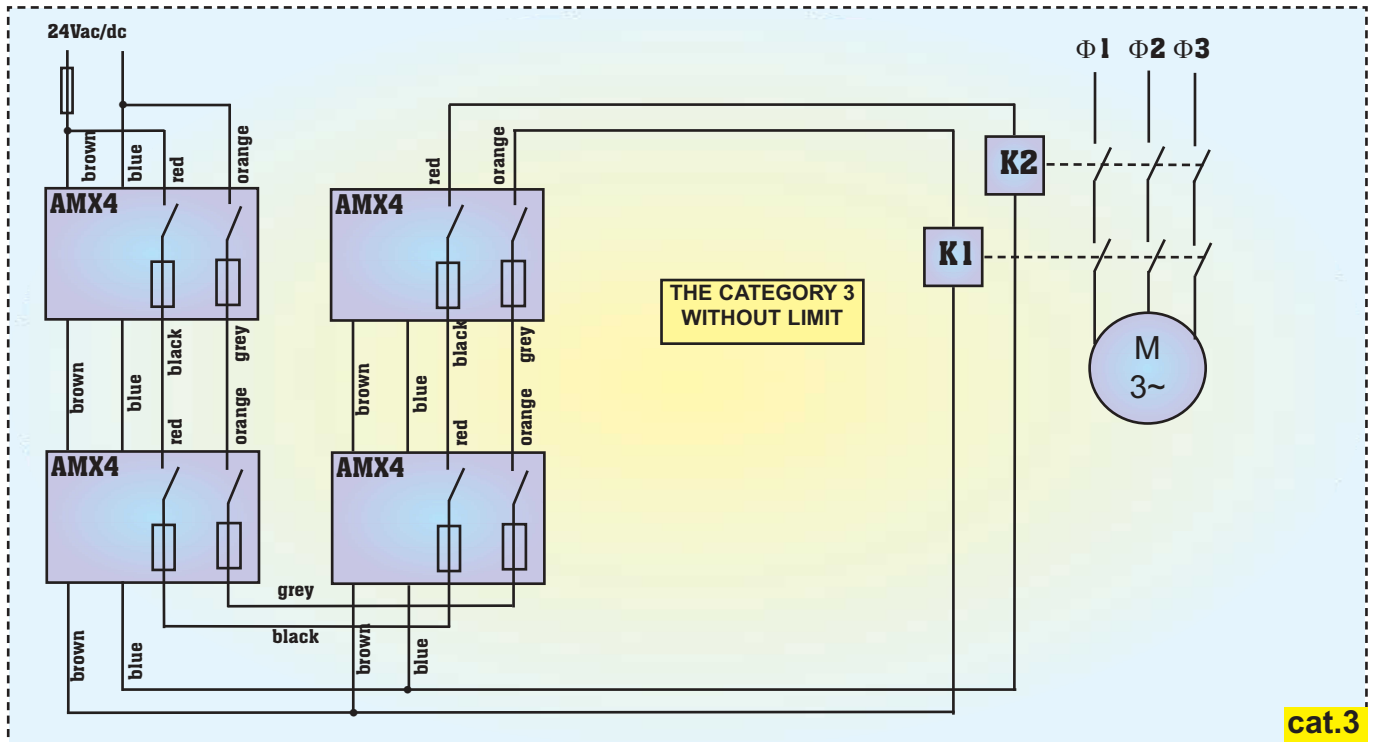


DIAGRAMS

APPLICATION DIAGRAMS

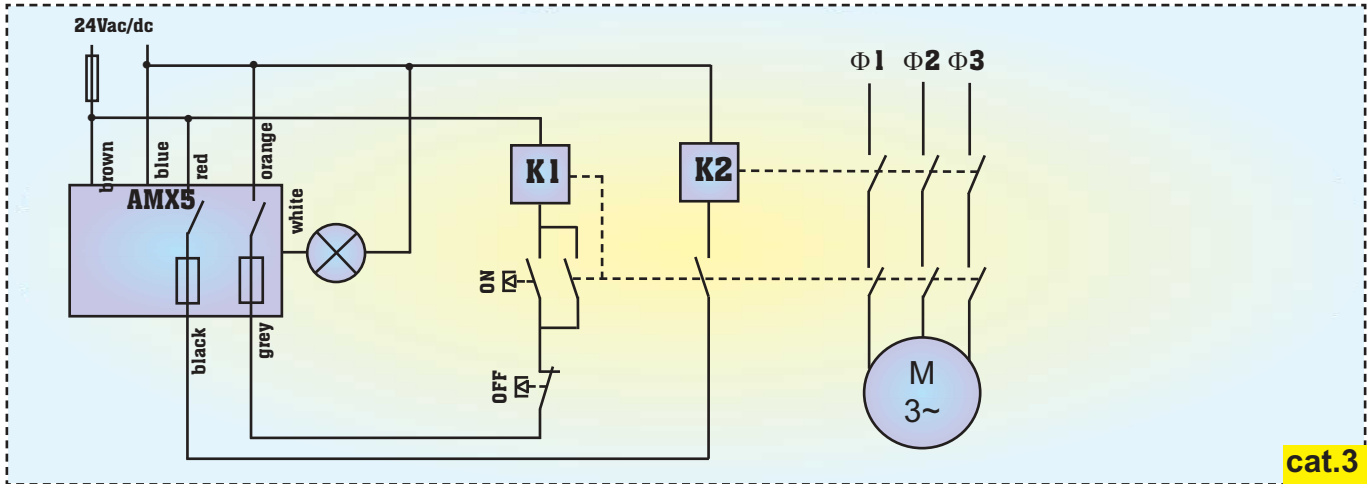
ACCESS PROTECTION IN CATEGORY 3

CATEGORY 3 OF THE POWER PARTS



APPLICATION DIAGRAMS

ACCESS PROTECTION IN CATEGORY 3



ACCESS PROTECTION IN CATEGORY 4

